

WATT Telescoping Valve

Rising Stem Screw

Standard Valve		
Item	Description	Material
1	Screw cover	clear pvc
2	Scale	aluminum
3	Limit nuts	aluminum
4	Lift nut	bronze
5	14" handwheel	aluminum
6	Housing	aluminum
7	Floorstand	stainless steel
8	Lift screw	stainless steel
9	Lift pipe	stainless steel
10	Bail	stainless steel
11	Fasteners	stainless steel
12	Slip pipe	stainless steel
13	Flange	cast iron
14	Gasket	neoprene

Purchased Options		
Description	Material	Check "yes"
Offset floorstand	stainless steel	
Wallbracket	stainless steel	Yes
Scumbaffle	aluminum	
18" handwheel	aluminum	
Flange ass'y	stainless steel	Yes
Anchor bolts	304 stainless steel	Yes
Anchor bolts	316 stainless steel	
Scale	mylar	
Vee notches		
Funnel	stainless steel	Size:
Guide Rod Assy	stainless steel	Yes

Contractor to provide the following:

Floor elevation: _____

High water elevation: _____

Low water elevation: _____

Flange elevation: _____

Floor thickness: _____

Project: _____

Contractor: _____

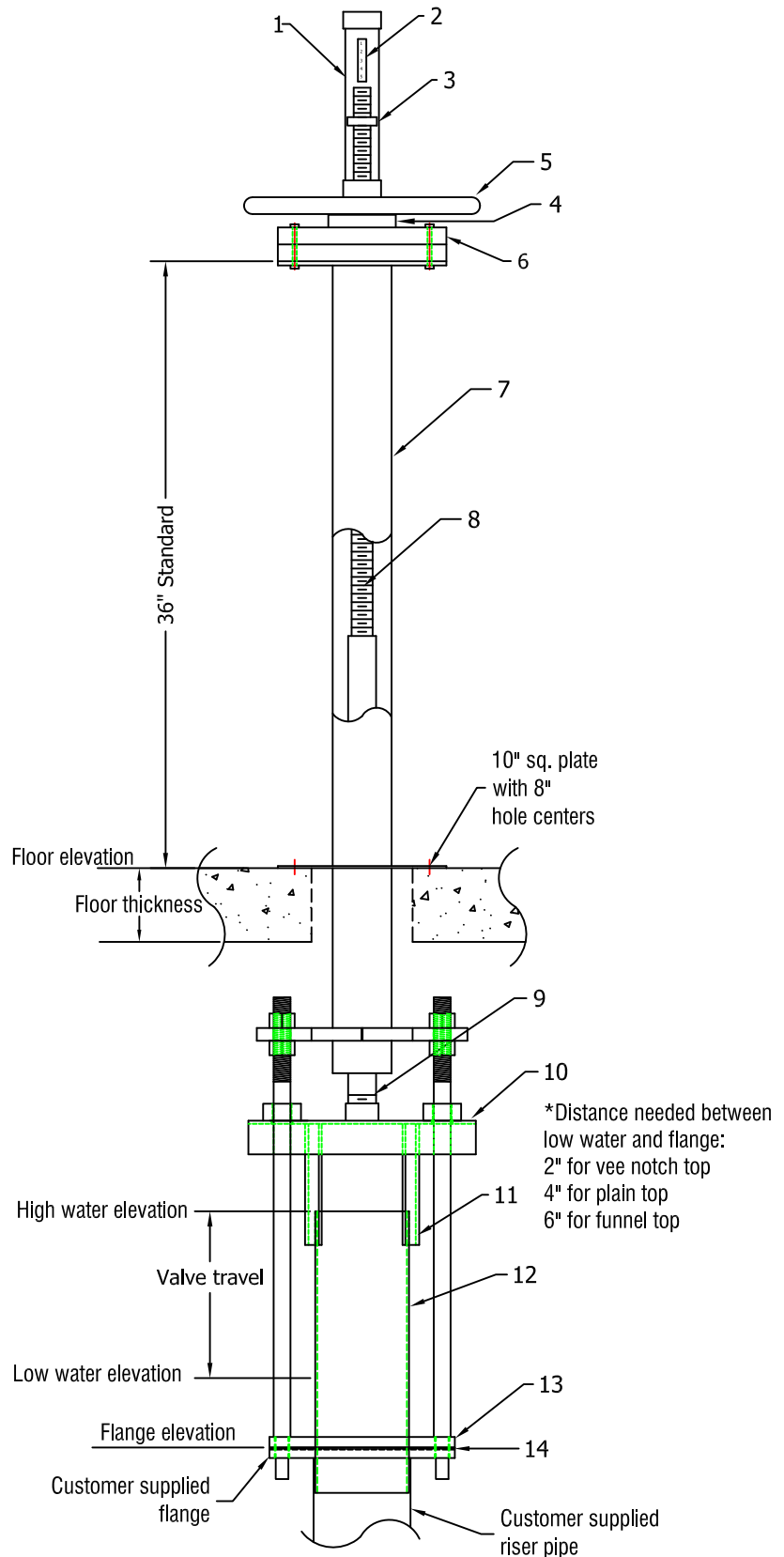
Sales representative: _____

Size: _____ Qty: _____

Latanick Equipment, Inc. Job #: _____

*Approved by: _____

Date: _____



LATANICK
EQUIPMENT, INC.
Custom design & machinery builder
Huron, Ohio Phone: (419)433-2200